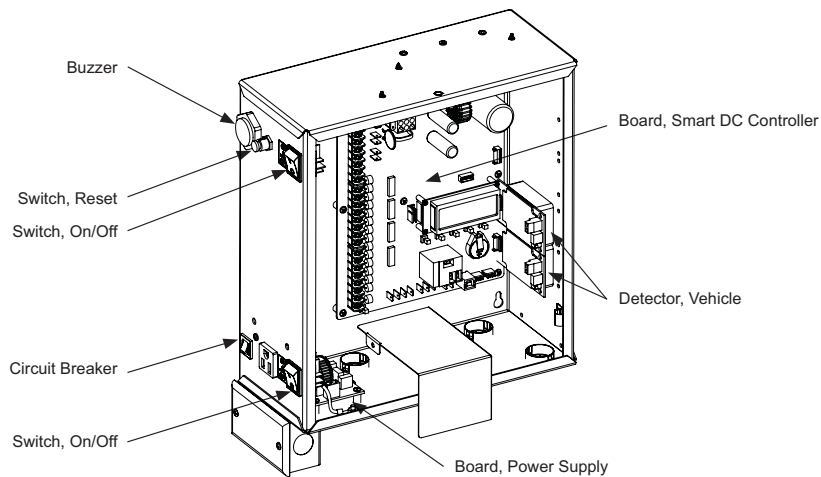
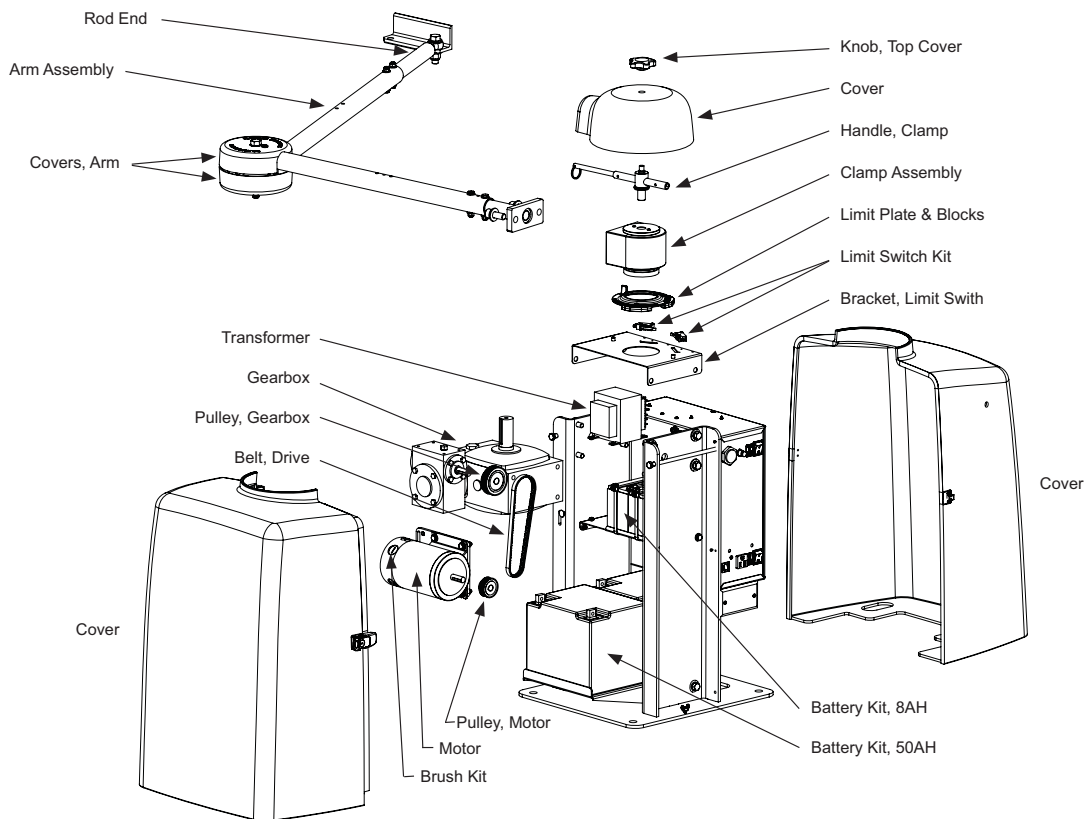


# Parts & Limited Warranty

## SWINGSMART PARTS



# SWINGSMART PARTS LIST

<i>Part Name</i>	<i>Part Number</i>	<i>SwingSmart Models</i>
Arm Assembly, Articulating	MX002011	all
Arm Assembly, Left Hand	MX002010	all
Arm Assembly, Right Hand	MX002009	all
Battery Kit, 50AH, Replacement	MX002013	all
Battery Kit, 8AH, Replacement	MX002008	AC only
Belt, Drive, SwingSmart	MX001744	all
Board, Power Supply, 115/230VAC	MX001766	all
Board, Smart DC Controller, SwingSmart	MX001457-1	all
Bracket, Limit Switch, SwingSmart	MX001658	all
Brush Kit, 24VDC Motor	MX001920	all
Buzzer, Piezo, for all Operators	MX001036	all
Circuit Breaker, 15 Amp	MX001760	Solar only
Circuit Breaker, 3 Amp	MX001762	AC only
Clamp Assembly, Taper, SwingSmart	MX001743	all
Cover, 3-Piece, SwingSmart	MX001926	all
Covers, Arm Pinch Protection	MX001815	all
Detector, Vehicle, HY-5A	MX000041	all
Gearbox, Double Reduction, SwingSmart	MX002005	all
Handle, Clamp, Replacement Kit	MX001933	all
Knob, Top Cover	MX001703	all
Limit Plate & Blocks Assembly, SwingSmart	MX001745	all
Limit Switch Kit, SwingSmart	MX002006	all
Motor, Electric, 24VDC	MX001395	all
Pulley, Gearbox	MX001404	all
Pulley, Motor	MX001403	all
Rod End, Ball Joint, Male	MX001695	all
Switch, On/Off	MX001761	all
Switch, Reset, Internal	MX001088	all
Transformer, 115/230VAC	MX001682	AC only