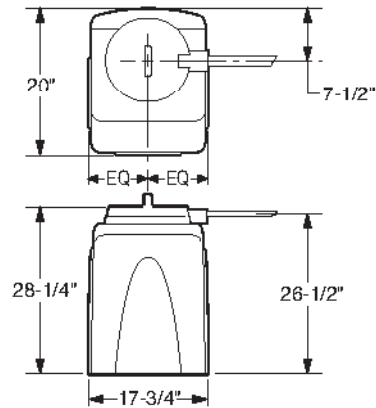


PARTS DIAGRAM

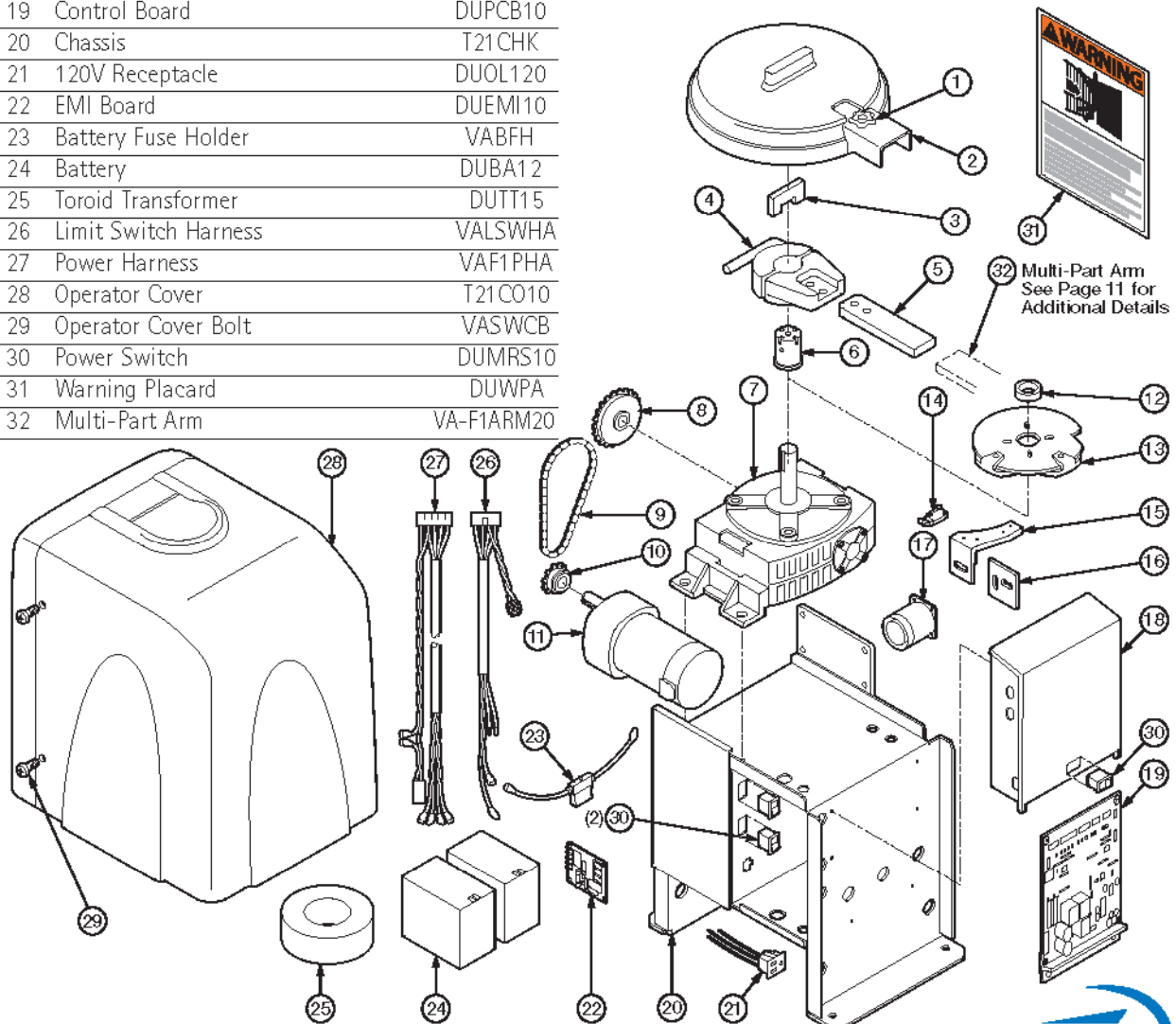
Item	Description	Part No.
1	Output Shaft Knob	DWOUK10
2	Output Shaft Cover	T21OC10
3	Clutch Key	VAWRCK20
4	Clutch and Handle	DWCL20
5	Output Arm	DWAR20
6	Output Shaft	DWOP10
7	Worm Gear #80 30:1	T21GB80
8	Sprocket 15 pitches, #50, 7/8 bore	T21SP507/8
9	Endless #50x36 Pitches	T21CH50
10	Sprocket 15 pitches, #50, 3/4 bore	T21SP503/4
11	24V 1 HP DC Motor/Gear Assembly	VAT21MO
12	Spacer	DWSPA10
13	Limit Cam & Holder	DWLC10
14	Limit switch (2)	DULS10
15	Limit switch Holder	DWLH10
16	Limit Switch Bracket	T21LH
17	Alarm	DUAL10
18	Electric Box	DUEB10
19	Control Board	DUPCB10
20	Chassis	T21CHK
21	120V Receptacle	DUOL120
22	EMI Board	DUEMI10
23	Battery Fuse Holder	VABFH
24	Battery	DUBA12
25	Toroid Transformer	DUTT15
26	Limit Switch Harness	VALSWHA
27	Power Harness	VAF1PHA
28	Operator Cover	T21CO10
29	Operator Cover Bolt	VASWCB
30	Power Switch	DUMRS10
31	Warning Placard	DUWPA
32	Multi-Part Arm	VA-F1ARM20

Overall Dimensions



Weight

100 lb.



WARNING - For Installation By Qualified Personnel Only.

