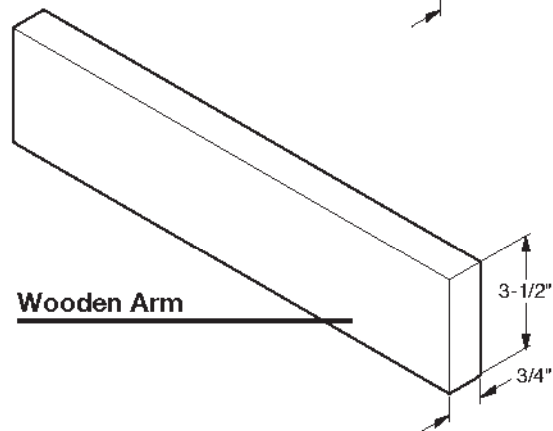
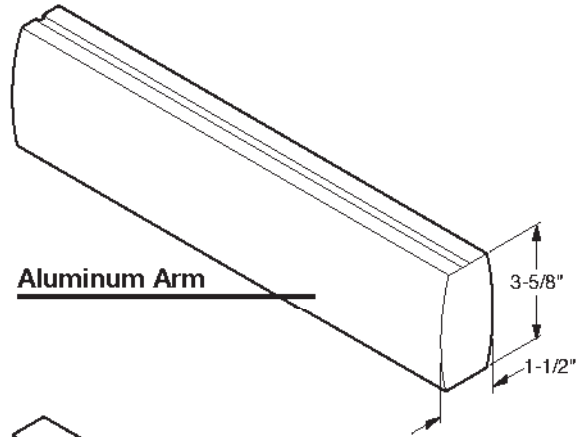


PARTS LIST

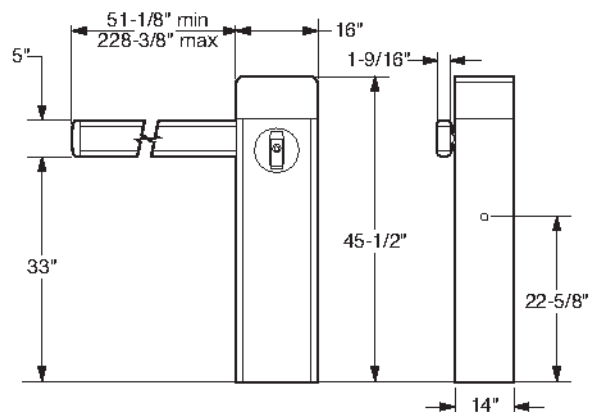
**WARNING - For Installation
By Qualified Personnel Only.**

Item	Description	Part No.
1	Top PCB Cover	VAB12C
2	Top PCB Cover Hardware	VAB12CHD
3	Top PCB Cover Release	VAB12CR
4	Loop Rack	VA-LR
5	Control Board	DUPCB10-B12
6	PCB Chassis	VAB12CH
7	PCB Chassis Bracket (set)	VAB12CHB
8	Battery	DUBA12
9	Limit Harness	VAB12LH
10	Power Harness	VAB12PH
11	Kill Switch Harness	VAB12KSH
12	Arm Bracket Inner-Aluminum	VAB12ABI
13a	Arm Bracket Outer-Aluminum	VAB12ABO
13b	Arm Bracket Outer-Wooden	VAB12ABO-W
14	Arm Bracket Cover	VAB12ABC
15	Arm Edge Protector	VAB12AEPM
16	Arm End Cap	VAB12AECM
17	Arm - Aluminum 12'	VA-B12ARM12
18	Arm - Aluminum 16'	VA-B12ARM16
19	Arm - Wooden 14'	VA-B12ARM14
20	Barrier Cabinet	VAB12BC
21	Barrier Cabinet Front Panel	VAB12CFP
22	Barrier Cabinet Front Panel Hardware	VAB12CFPH
23	Barrier Cabinet Front Panel Bezel	VAB12CFPB
24	Barrier Cabinet Key	VAB12K
25	Barrier Cabinet Key Cylinder	VAB12KC
26	Barrier Cabinet Key Release Handle	VAB12KRH
27	Kill Switch	VAB12KS
28	Limit Switch	VAB12LS
29	Limit Switch Holder	VAB12LSH
30	Limit Cam	VAB12LC
31	Rocker Arm	VAB12RA
32	Positive Stop Nut and Bolt	VAB12PSHK
33	Spring Bolt & Washer	VAB12SH
34	Spring - Gray	VAB12SGY
35	Spring - Green	VAB12SGN
36	Spring - Red	VAB12SRD
37	Motor	VAB12MO
38	Gear Box	VAB12GB
39	Toroid Transformer	DUTT10
40	Accessory Shelf	VAB12AS
41	EMI Board	DUEMI10
42	EMI J-Box	VAB12EMIB
43	120V Receptacle	DUOL120
44	Attachment Bar (set)	VAB12AB
45	Circuit Breaker	DUMRS10
46	Warning Placard	DUWPA

Arm Dimensions



Overall Dimensions

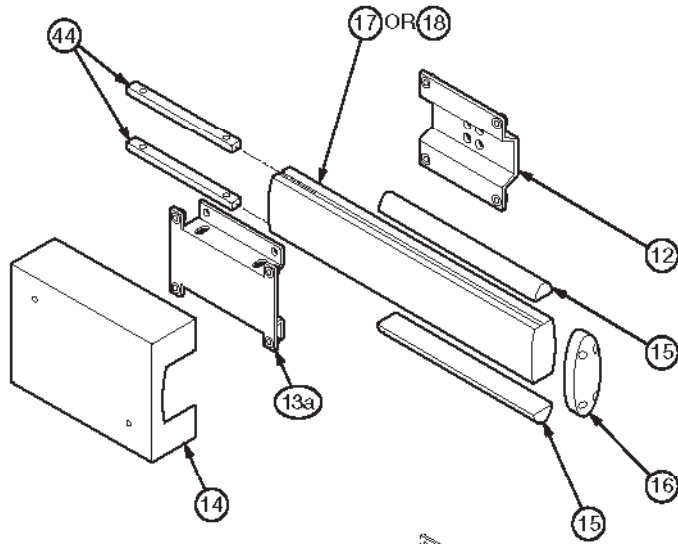


Weight

170 lb.

PARTS DIAGRAM

Aluminum Arm



Wooden Arm

